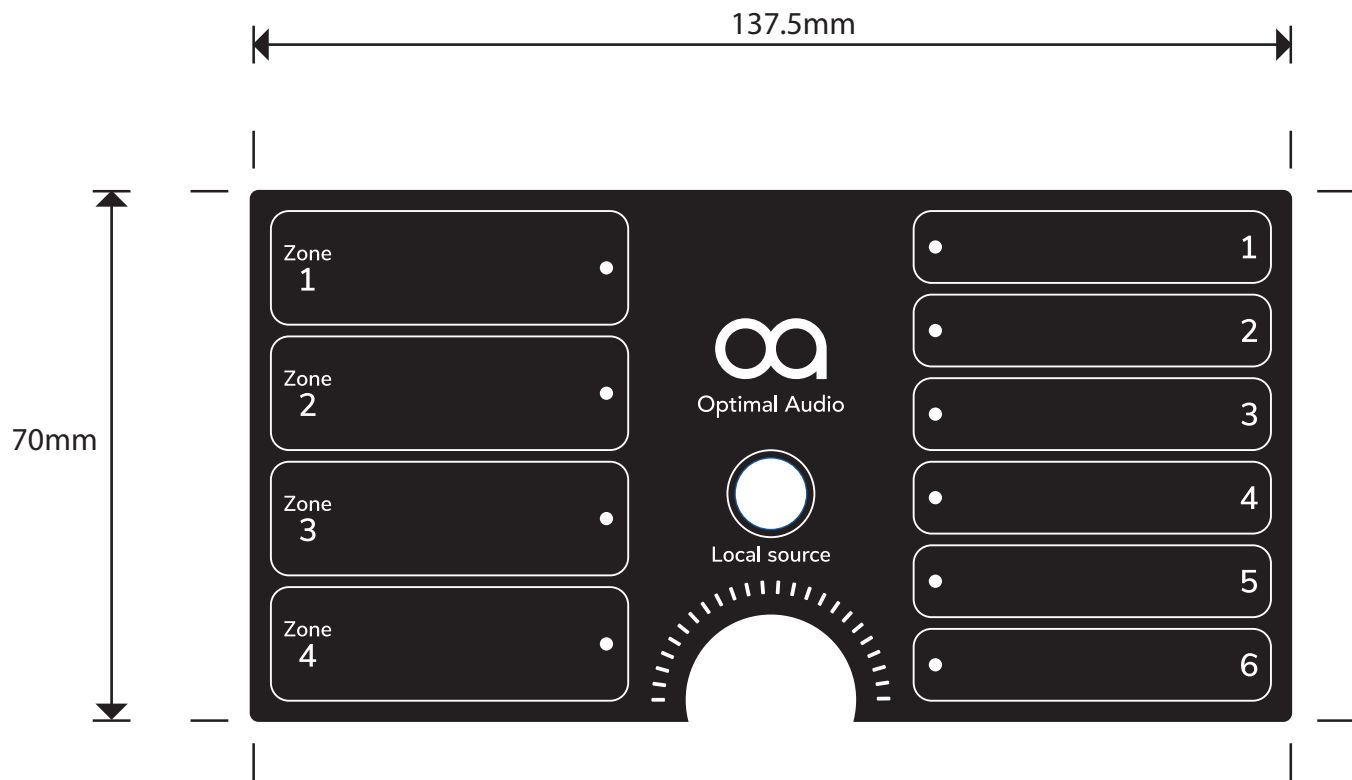


# A4 Print Template for ZonePad 4

Click on the fields below to add your zone/source names, and save the document.  
Please print template at 100% (full size).



## ZonePad 4

This template is setup for 1 colour print and is shown at 1:1 scale to be inserted into a ZonePad 4 face panel.

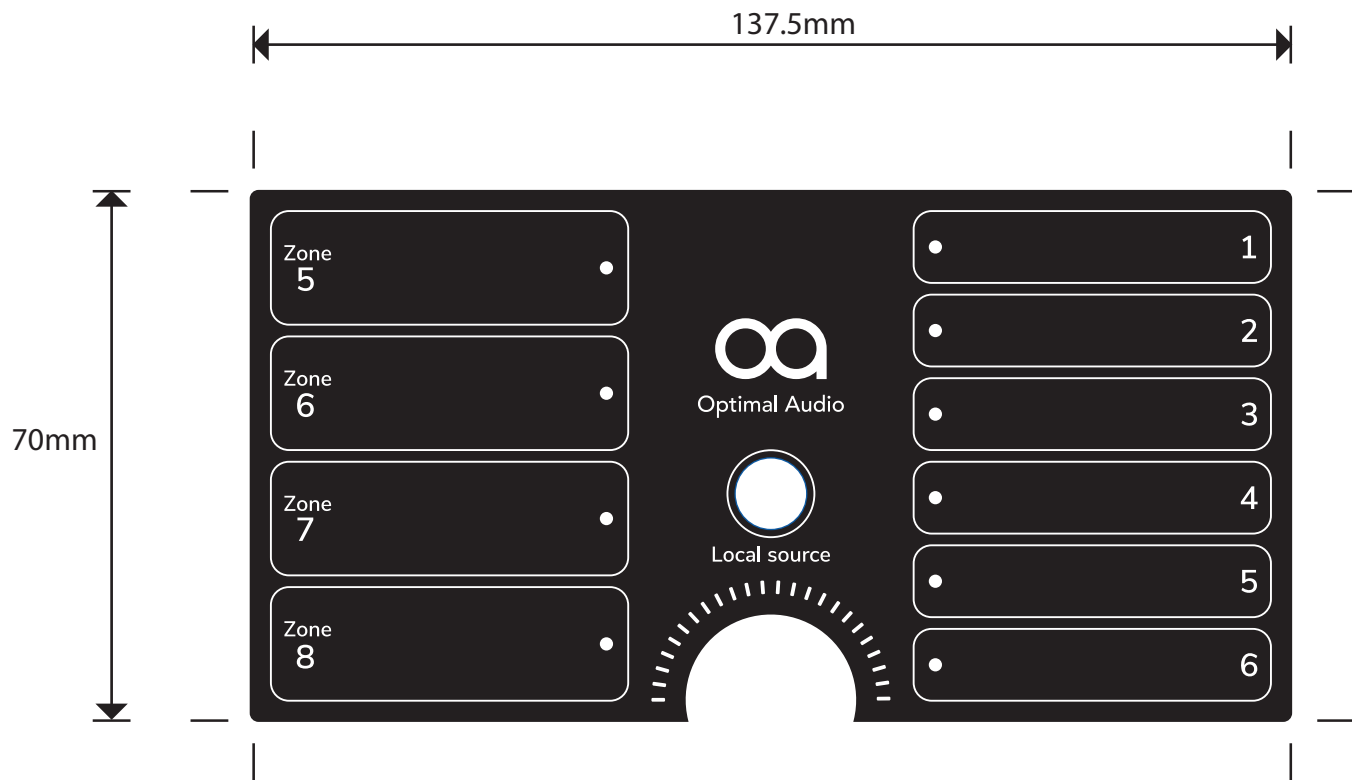
Please ensure that printing output is at 100%, with dimensions of 137.5mm width and 70mm height.

Suitable for printing on an A4 desktop printer or use as a template for commercial printing.

A guideline template for die-cutting is on Page 2 of this document.

# A4 Print Template for ZonePad 4

Click on the fields below to add your zone/source names, and save the document.  
Please print template at 100% (full size).



## ZonePad 4

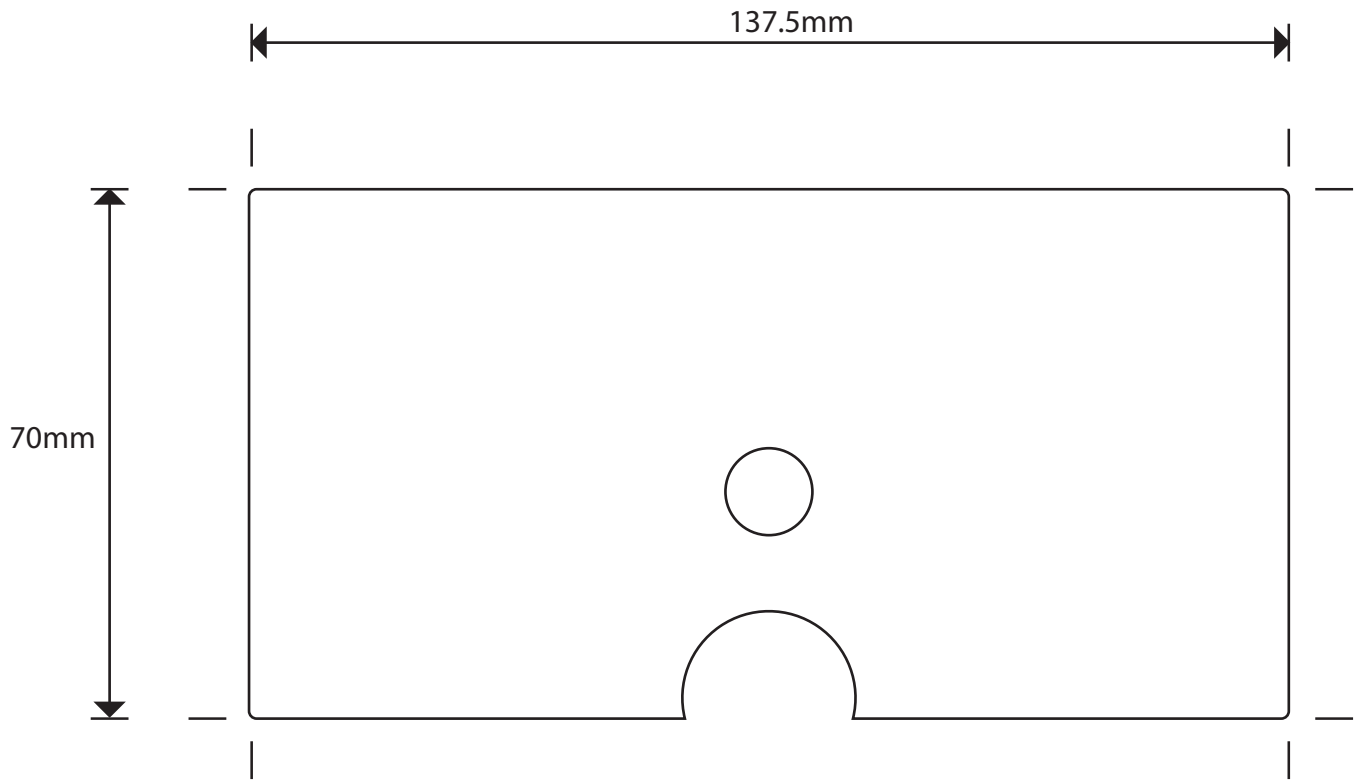
This template is setup for 1 colour print and is shown at 1:1 scale to be inserted into a ZonePad 4 face panel.

Please ensure that printing output is at 100%, with dimensions of 137.5mm width and 70mm height.

Suitable for printing on an A4 desktop printer or use as a template for commercial printing.

A guideline template for die-cutting is on Page 2 of this document.

# Die-cut Template for ZonePad



**ZonePad Label Template**